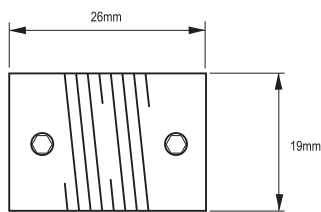


Accessories

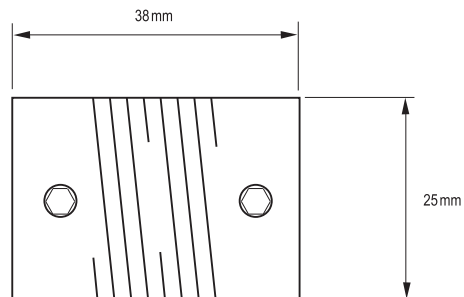
Flexible Couplings

Shaft Seal/Flexible Coupling Torque Consideration

A shaft seal, when fitted to an encoder, will significantly increase the starting and running torque. This, together with an APPLICATION SERVICE FACTOR (i.e., uni-direction, stop-start, reversing), must be considered when making a choice of any flexible coupling to be used in a given application. Since these factors vary between encoder TYPES, you should call Technical Sales for selection advice.

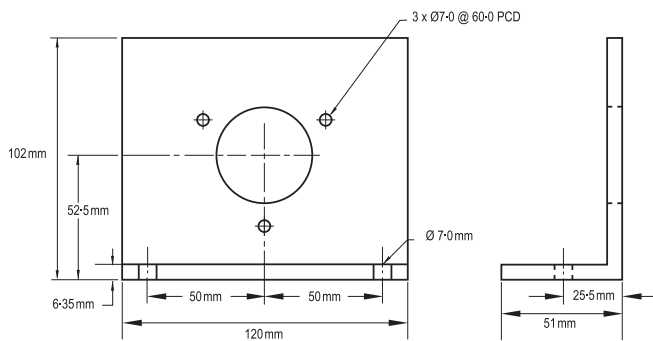


CPA/S/S

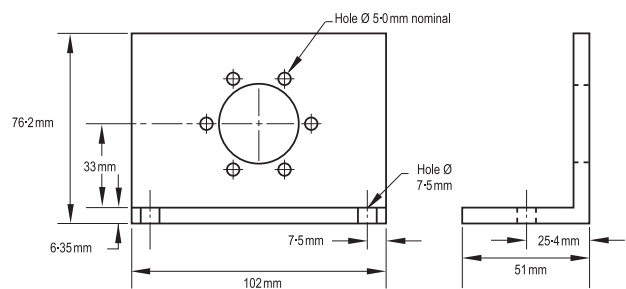


CPA/12/12

Mounting Brackets



M-4
(740/745)



M-3
(730/735)



Mounting Brackets

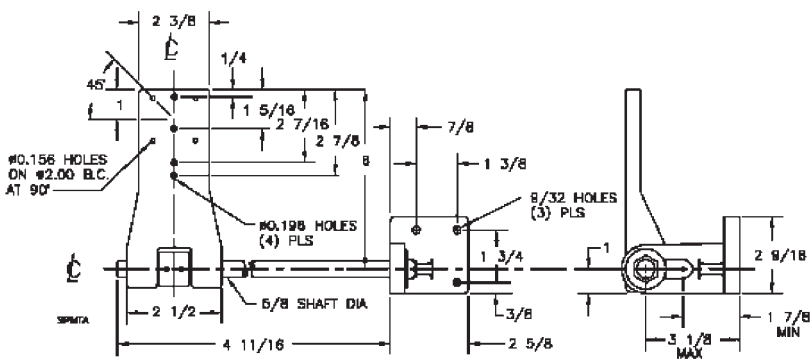
Uni-Bracket

Adapts the Model 260 or Model 702 Flex-Mount to fit a standard motor mount with a mounting bolt circle up to 5.875", such as a NEMA 4.5" AK mount or IEC equivalent.

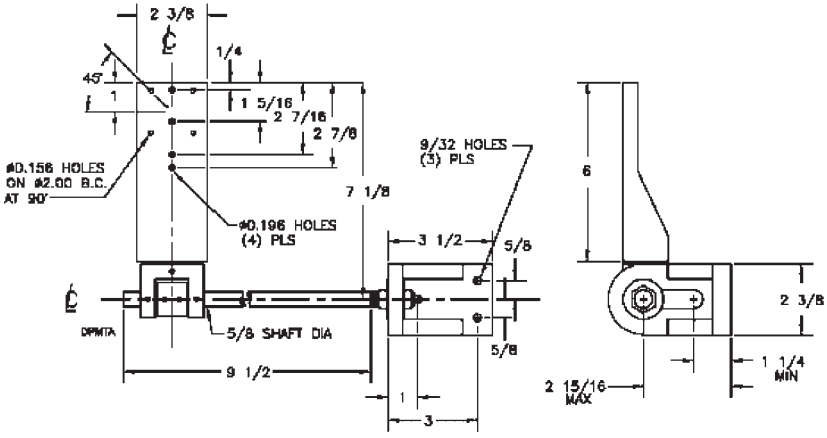


Uni-Bracket

Cube Series Mounting Brackets



Single Pivot Mounting Bracket



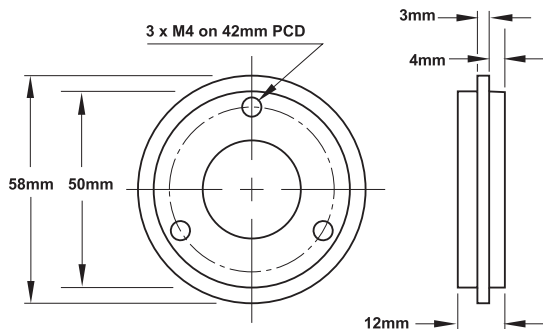
Double Pivot Mounting Bracket



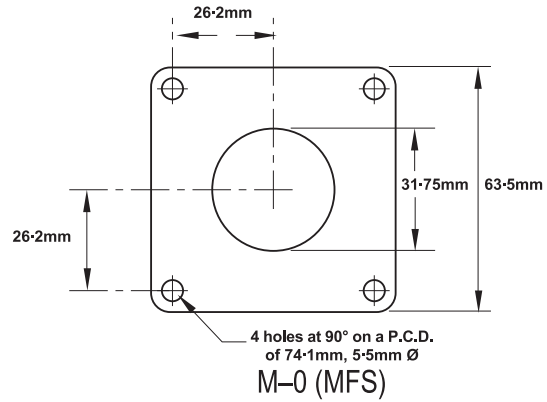
Accessories

Mounting Flanges—Series 730/735

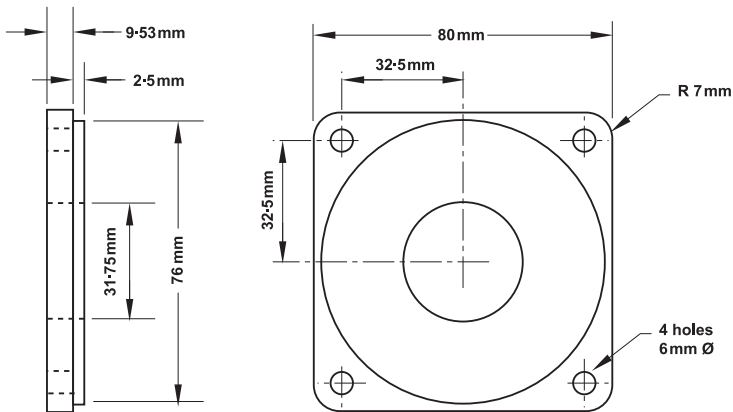
Many more options available, please call the Sales Office.



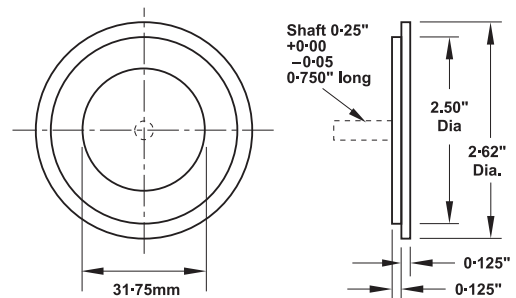
M-2 (50/58 mm)



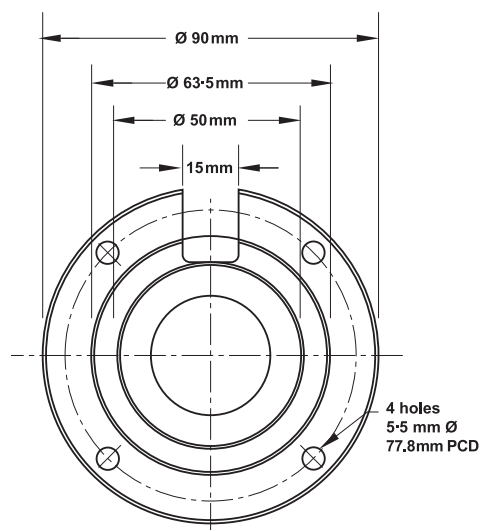
M-0 (MFS)



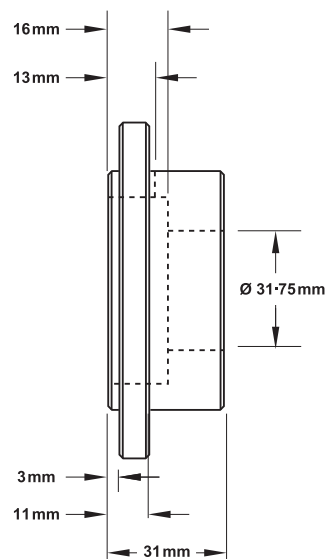
M-6 (GELMA)



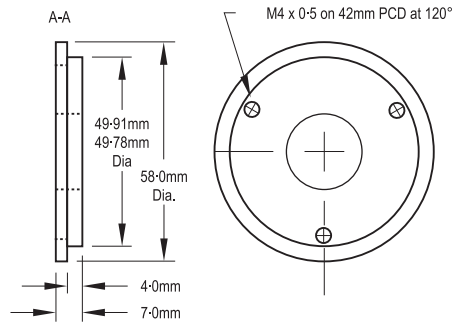
M-7 (L25G)



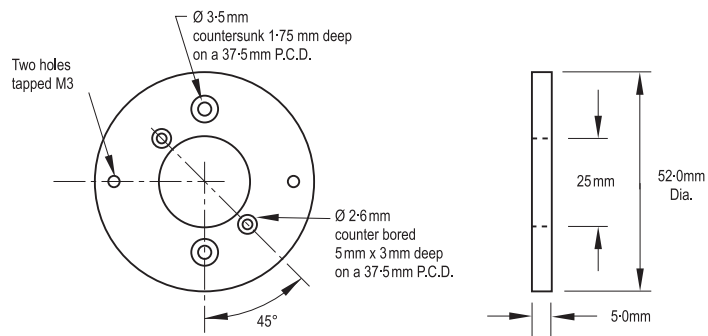
M-8 (Motor Mount)



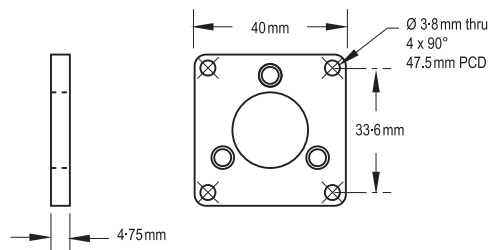
Mounting Flanges-Series 755



M-1



**M-9
Parvex**

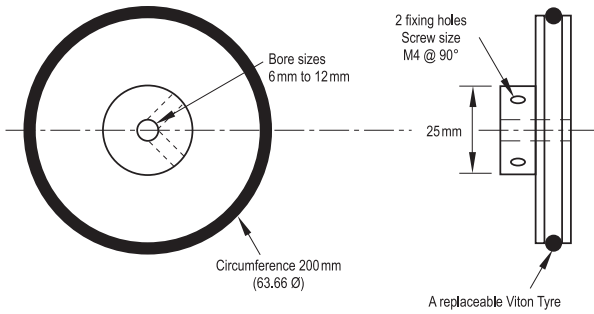


M-A



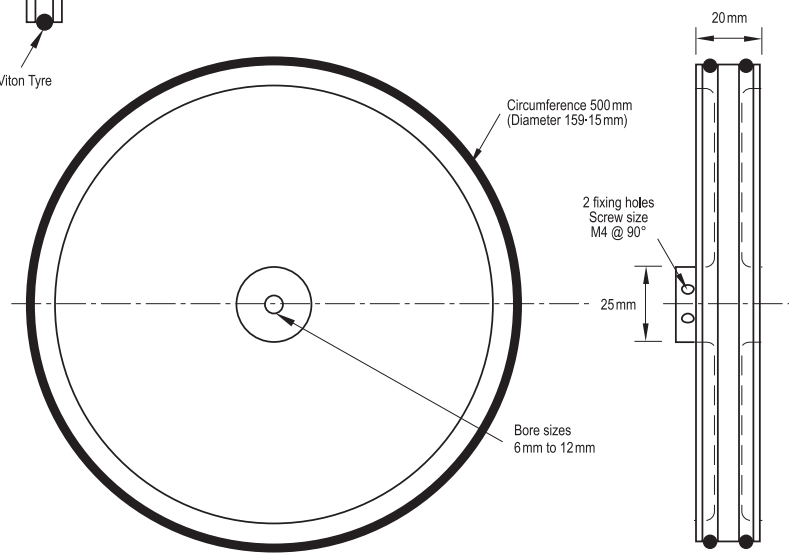
Accessories

Measuring Wheel

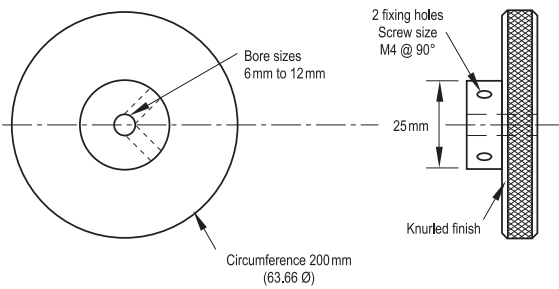


MWB2RU

- MWB2RU - 200mm Circumference
- MWB3RU - 300mm Circumference
- MWB4RU - 400mm Circumference
- MWB5RU - 500mm Circumference
- MWB06RU - 6" Circumference
- MWB12RU - 12" Circumference
- MWB33RU - 333.3mm Circumference

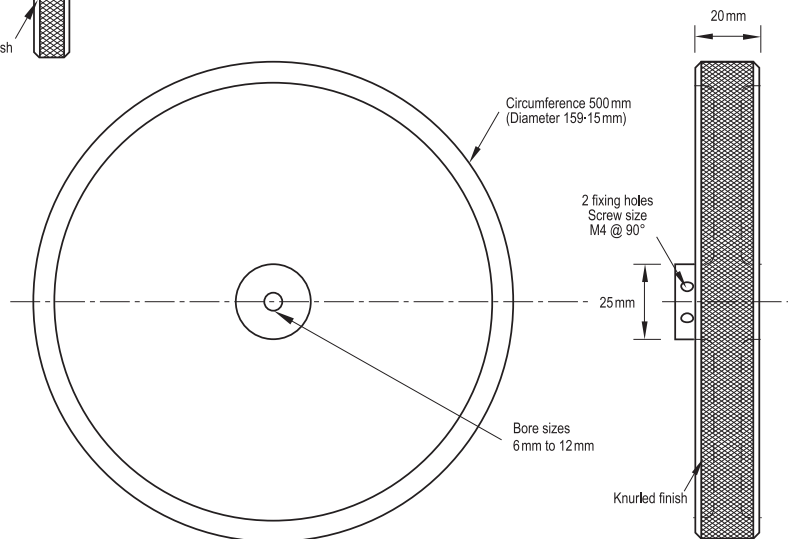


MWB5RU



MWB2KN

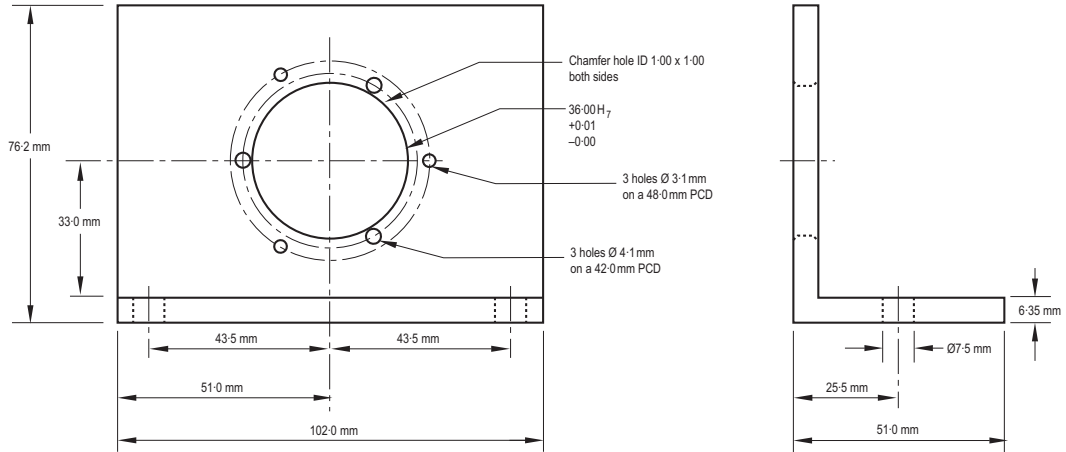
- MWB2KN - 200mm Circumference
- MWB3KN - 300mm Circumference
- MWB4KN - 400mm Circumference
- MWB5KN - 500mm Circumference
- MWB06KN - 6" Circumference
- MWB12KN - 12" Circumference
- MWB33KN - 333.3mm Circumference



MWB5KN



758/958-20 L Bracket M-B



730/735 L Bracket M-G

