



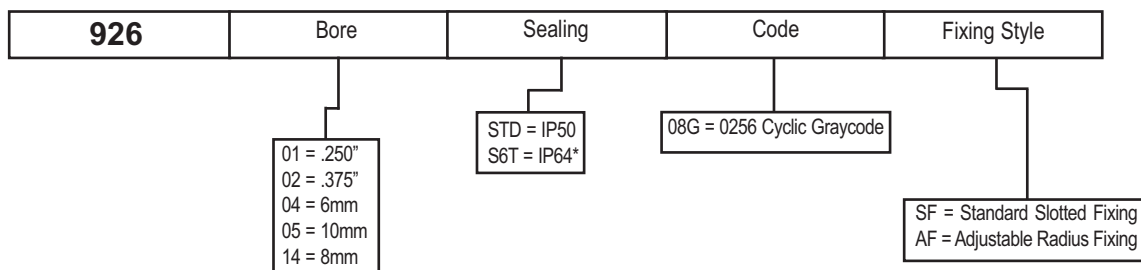
## Design Features

The 926 Series miniature 8 bit absolute encoder has been designed with very compact dimensions and a simple fixing arrangement. Available in 8 bit (0256) graycode, the 926 is a full thru-bore hollow shaft device, fitted with 2m of cable. The encoder operates from 4.75 - 26V in Push-Pull mode.

## Specifications

Input Voltage range.....	<b>4.75/26V</b>	Starting torque.....	<b>0.002 Nm</b>
Regulation, for 5V operation..	<b>5%, with 2% maximum ripple</b>	User radial shaft runout.....	<b>0.15 max TIR</b>
Current consumption.....	<b>100mA. No external load</b>	User axial shaft end play.....	<b>+/-0.7mm</b>
Output circuits, per channel...	<b>20mA (max) Push-Pull</b>	Radial loading.....	<b>Being the mass of the encoder</b>
Frequency response (LSB)...	<b>50 KHz</b>	Axial loading.....	<b>Being the mass of the encoder</b>
Output codes.....	<b>Cyclic graycode</b>	Moment of inertia.....	<b>100 g/cm</b>
Repeatability.....	<b>within 0.01°</b>	Acceleration.....	<b>10<sup>5</sup> radians/sec<sup>2</sup></b>
Error limit/accuracy.....	<b>0.04°</b>	Weight.....	<b>0.2 Kg</b>
Rise time.....	<b>Less than 1 microsecond</b>	Housing.....	<b>Aluminum</b>
Resolution.....	<b>8 bits</b>	Operating temperature.....	<b>0°C to +70°C</b>
LED life.....	<b>100,000 hrs typical</b>	Storage temperature.....	<b>-20°C to +85°C</b>
Pulses per revolution.....	<b>See ordering information</b>	Humidity.....	<b>98% RHNC</b>
Max shaft speed.....	<b>6,000 rpm continuous</b>	Vibration.....	<b>10 G's @ 58 to 500 Hz</b>
Bore sizes.....	<b>See ordering information</b>	Shock.....	<b>50 G's for 11 mSec</b>
Bore tolerance.....	<b>H7 sliding fit for g6</b>	Protection.....	<b>IP50 standard</b>
Bearings.....	<b>ABEC 3</b>		<b>*IP64 due late 2003</b>

## Ordering Information

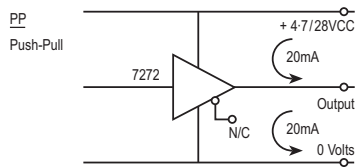


\*IP64 available late 2003 in bore sizes .250"; 6mm and 8mm only.





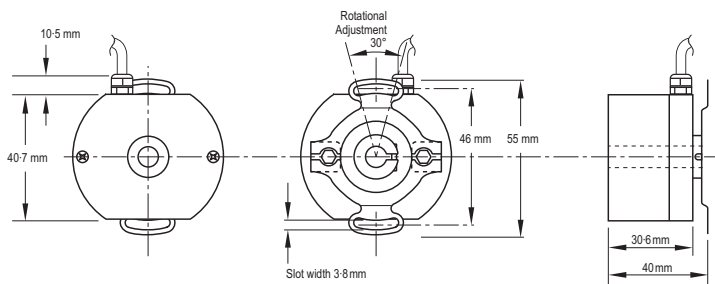
## Output Circuits



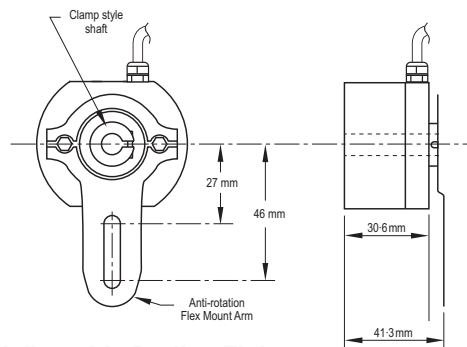
## Termination

Function	Cable colour
OV Common	Black
+Vcc (5-24V)	Red
S1 (cw MSB)	Brown
S1 (ccw MSB)	Yellow
S2	White
S3	Green
S4	Orange
S5	Blue
S6	Violet
S7	Grey
S8 (LSB)	Pink
Case Ground	Screen Wire

## Dimensions



**Standard Slotted Fixing**



**Adjustable Radius Fixing**

