

Series 745

SERIES 745



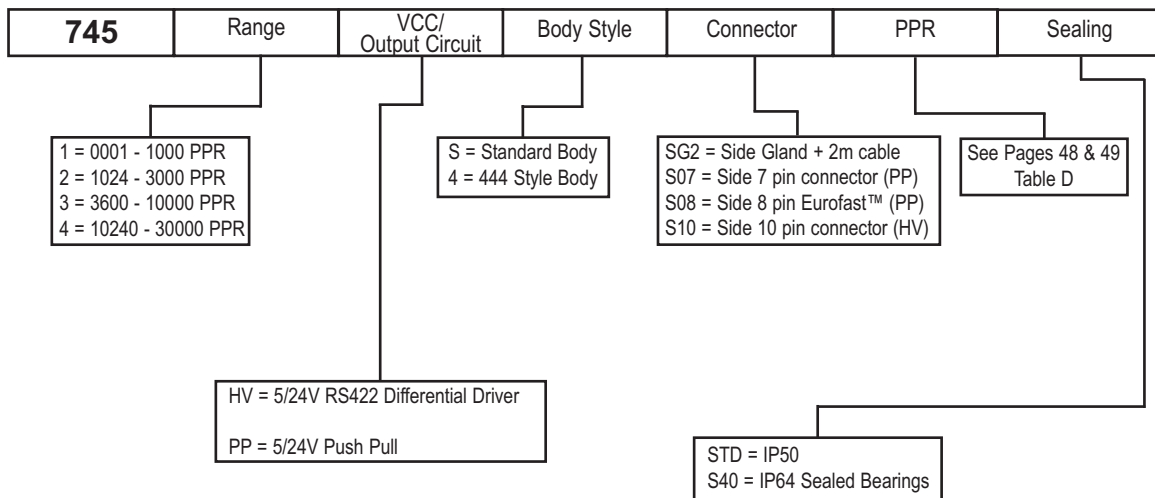
Design Features

Due to some major technology enhancements, the 745 encoder is now available in four resolution ranges, from 0001 PPR through to 30,000 PPR. With models 745/2 through 745/4, which use advanced circuitry, it is now possible to provide selected resolutions up to 30,000 PPR. Please note, that within the higher resolution bands, the edge separation specifications reduce minimally, to 50°.

Specifications

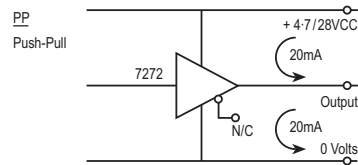
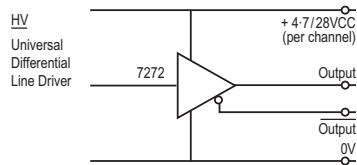
Input Voltage range	5/24V (see output circuits)	Starting torque	0.002 Nm
Regulation, for 5V operation	5%, with 2% maximum ripple	Radial loading	120 N operating
Current consumption	50 - 100mA typical	Axial loading	120 N operating
Output circuits	See Ordering Information	Moment of inertia	70 g/cm
Frequency response	200 KHz	Acceleration	10⁵ radians/sec²
Symmetry	180° electrical ±5% (9°e)	Weight	0.8 kg
Quadrature Phasing	90° electrical ±10% (9°e)	Housing	Aluminum w/protective finish
Minimum edge separation	72° electrical	Mounting	3 X M6 on 60mm PCD
Reference marker pulse	Gated (A • Z = F)	Operating temperature	-10°C to +70°C
Rise time	Less than 1 microsecond	Storage temperature	-30°C to +85°C
Accuracy (cycle to cycle)	±0.017° or 1 Arc/Min	Humidity	98% RHNC
LED life	100,000 hrs typical	Vibration	10 G's @ 58 to 500 Hz
Pulses per revolution	See Ordering Information	Shock	50 G's for 11 mSec
Max shaft speed	6,000 rpm continuous	Protection	IP50 standard
Shaft sizes and types	12mm Stainless Steel		IP64 with sealed bearings
Shaft tolerance	g6, sliding fit for H7		
Bearings	Double Sealed ABEC 3		

Ordering Information



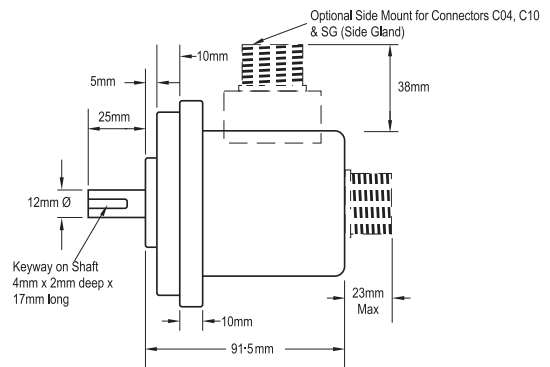
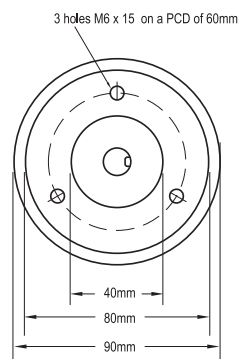


Output Circuits



Dimensions

Standard Configuration ("S")



"444" Configuration ("4")

